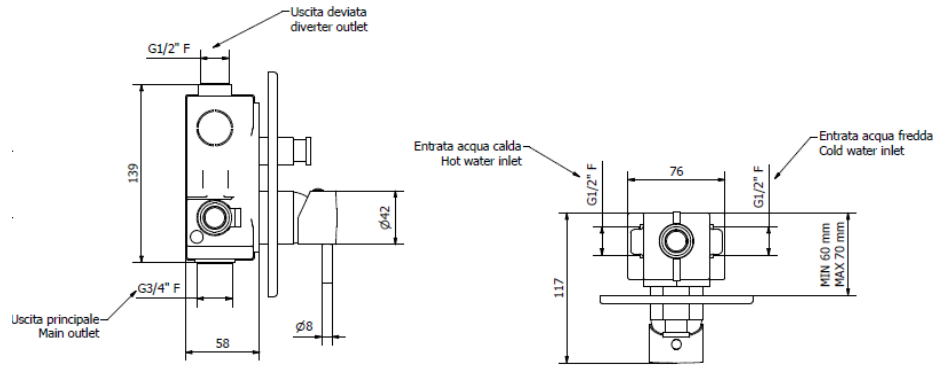
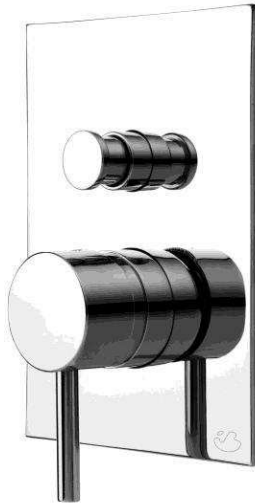




www.ibrubinetterie.it

MILANOTORINO
MT310

Range
Product



Product Description

Two ways shower mixer built into the wall, erected on a 175x120 mms plate and made of a metal lever, a diverter which allow to choose the water outlet by pushing the knob, an internal carter in order to protect the body during the installation and make the process easier as it shows the exact amount of mms to fix it correctly into the wall. It's made of two internal water inlets (cold and hot water) plus two ways outlet.

Available Finishings

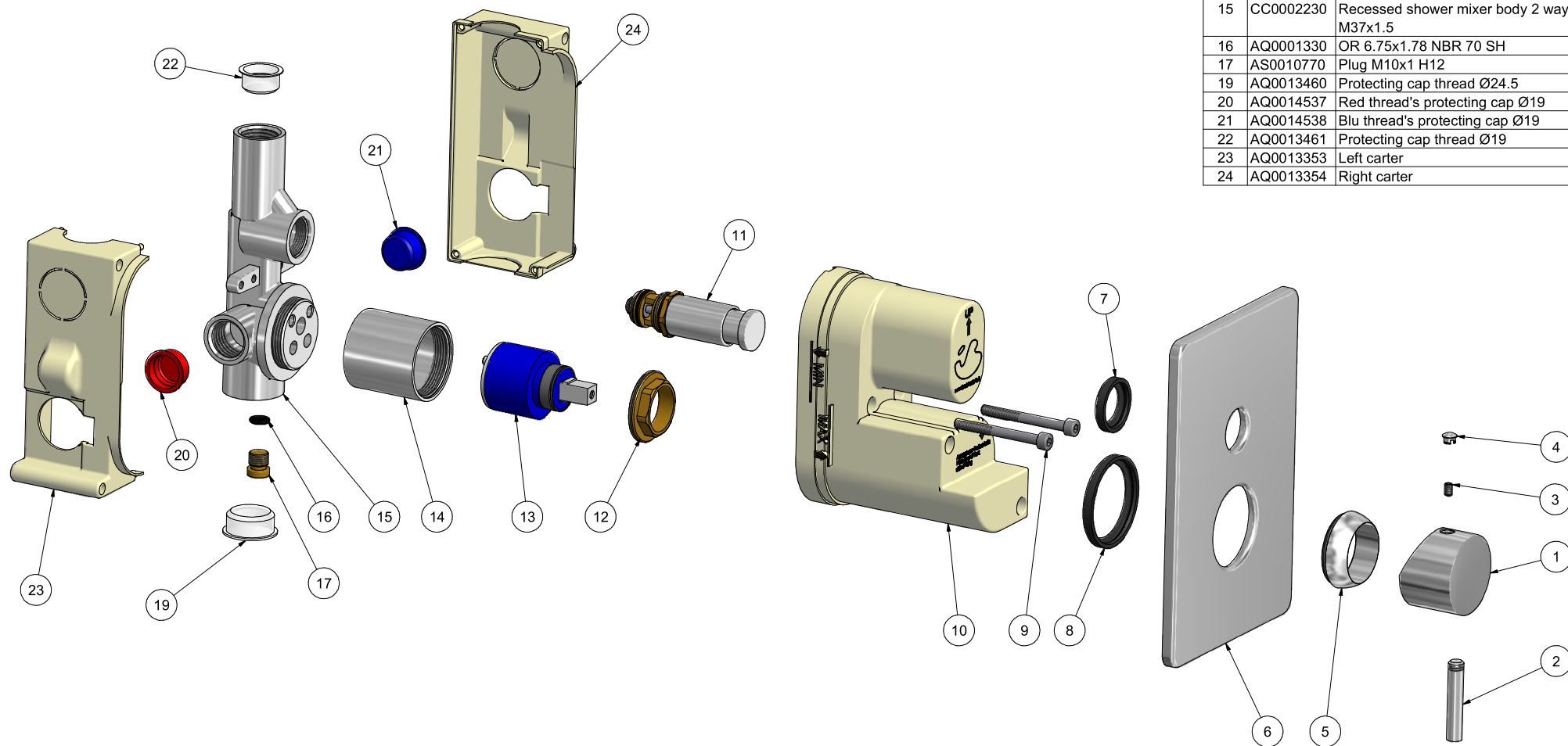
Chrome	<input checked="" type="checkbox"/>	Glossy Black	<input checked="" type="checkbox"/>	PVD Gold	<input type="checkbox"/>	Copper	<input type="checkbox"/>
Brushed Nickel	<input checked="" type="checkbox"/>	Matt White	<input type="checkbox"/>	Gold	<input checked="" type="checkbox"/>	Bronze	<input type="checkbox"/>
Glossy White	<input checked="" type="checkbox"/>	Matt Black	<input type="checkbox"/>	Rose Gold	<input checked="" type="checkbox"/>	YO - Your Own	<input checked="" type="checkbox"/>

Tech Specifications

	iB Standard	Possible Alternative													
Cartridge	iB 35 mms Ceramic Cartridge	Flow Restrictions – See below													
Water Inlets	G 1/2" F														
Main Water Outlet	G 3/4" F														
Secondary Water Outlet	G 1/2" F														
Flow Rate (+/- 10%)	<table border="1"> <tr> <td>1 BAR</td> <td>11 l/m</td> </tr> <tr> <td>2 BAR</td> <td>15 l/m</td> </tr> <tr> <td>3 BAR</td> <td>19 l/m</td> </tr> </table>	1 BAR	11 l/m	2 BAR	15 l/m	3 BAR	19 l/m	<table border="1"> <tr> <td>5,5 l/m</td> </tr> <tr> <td>8,0 l/m</td> </tr> <tr> <td>9,5 l/m</td> </tr> <tr> <td>12,0 l/m</td> </tr> <tr> <td>14,0 l/m</td> </tr> <tr> <td>16,0 l/m</td> </tr> <tr> <td>18,0 l/m</td> </tr> </table> <p>Changing aerator or adding flow restrictors in the hoses, the following range of TOP flow rates can be achieved</p>	5,5 l/m	8,0 l/m	9,5 l/m	12,0 l/m	14,0 l/m	16,0 l/m	18,0 l/m
1 BAR	11 l/m														
2 BAR	15 l/m														
3 BAR	19 l/m														
5,5 l/m															
8,0 l/m															
9,5 l/m															
12,0 l/m															
14,0 l/m															
16,0 l/m															
18,0 l/m															
Material	Brass According to CUZN35PB2AL-B(CB752S) Max Lead content: 1,6%														
Production	Main body is a single casted piece														



info@ibrubinetterie.it
p.iva 01785230986
capitale sociale €420.000,00 i.v.
T +39.030.802101
F +39.030.803097
iB Rubinetterie SpA
via dei pianotti, 3/5 - 25068 sarezzo (bs) - Italy



Elenco parti			
ELEM	CODICE	NUMERO DI MAGAZZINO	QT
1	AC0011351	Handle Ø42 H30	1
2	AC0009461	Rod Ø8 H42 M8	1
3	AQ0001081	Inox grub screw M4x6 flat point	1
4	AQ0006650	Plug cover Ø7	1
5	AQ0003630	Cartridge ring nut cover M37x1.5	1
6	AQ0013844	Plate 175x120x6.5 2 holes Ø42 Ø21.5	1
7	AQ0013863	Rubber 28x19x5.6 EPDM 80	1
8	AQ0013864	Rubber 48x39x5.6 EPDM 80	1
9	AQ0010892	Socket head cap screw M5x65	2
10	AQT113352	Stamped clousure top carter type I	1
11	CP11815CC	Diverter	1
12	AQ0001040	Cartridge ring nut M37x1.5 H9	1
13	AQ0004095	Ceramic cartridge Ø35 9x9 (K35A)	1
14	AC0010445	Ring for recessed shower mixer	1
15	CC0002230	Recessed shower mixer body 2 way M37x1.5	1
16	AQ0001330	OR 6.75x1.78 NBR 70 SH	1
17	AS0010770	Plug M10x1 H12	1
19	AQ0013460	Protecting cap thread Ø24.5	1
20	AQ0014537	Red thread's protecting cap Ø19	1
21	AQ0014538	Blu thread's protecting cap Ø19	1
22	AQ0013461	Protecting cap thread Ø19	1
23	AQ0013353	Left carter	1
24	AQ0013354	Right carter	1

				Tolleranze generali	Peso	Scala	Formato
www.vivenzimito.it Via dei Pianetti 3/5 23066 Sanico - BRESCIA tel. 030802101 fax. 030803097 www.brubetterie.it				1:2		1:2	ISO A3
Materiale							
Disegnatore	Data creazione	Approvato da	Approvato il				
Vivenzi M.	08/03/2011	Tira G.	31/05/2011				
Denominazione				Codice			
Esploso mix vasca incasso MITO				KMT310CCXN_2			

WARRANTY

all iB Rubinetterie SpA products are warranted for 10 years from the date of purchase, for the following cases:

- defects of casting, porosity and chrome plating
- operating defects caused by incorrect fabrication.

The warranty provides for the repair or replacement of products with fabrication defects recognized by our technical office.

There is no other type of compensation and the merchandise must be returned FOB our warehouse. The warranty only cover surface defects (scartches, dings, etc.) on fittings that have not been installed and used, returned in its original packaging with all components.

O-rings, gasket seals and components subject to wear proportional to use are warranted for 2 years.

The warranty is void in the following cases:

- error installing and putting the product into service.
- deterioration of chrome-plated surfaces due to use of cleaning products containing acids or abrasive substances
- deterioration of surface with finishes other than chrome plating. Their durability is, in fact, dependent on the user's care and gentleness of use.
- deterioration of the fitting due incorrect installation.
- improper repairs and maintenance performed without the company's prior authorization.

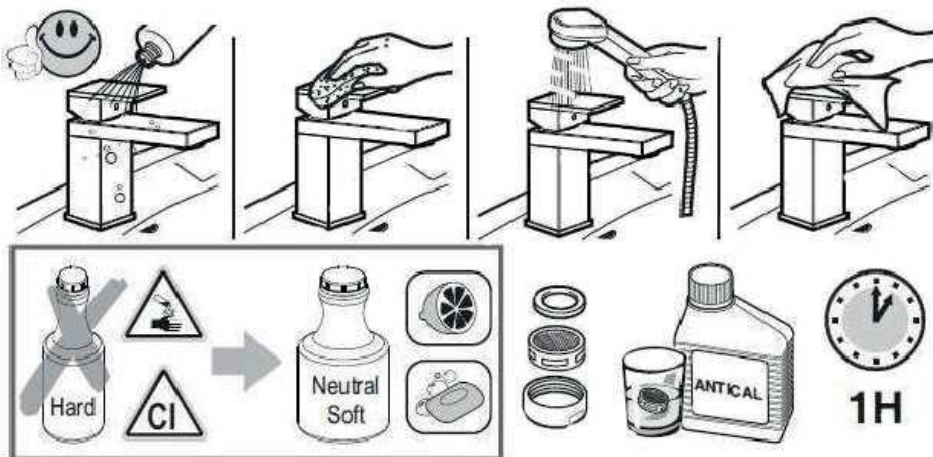
The warranty from iB Rubinetterie SpA is not renewable.

Cleaning:

We recommend cleaning chrome-plated and gold-finish surface with water and soap, using a soft cloth.

Do not use detergents that contain hydrochloric acid or abrasive substances.

Plastic parts must only be cleaned with soap and water and soft cloth.



IMPORTANT

Pressure & Temperature Requirements.

- * Hot and cold water inlet pressures should be equal.
- * Inlet pressure range: 150-1000 kPa
- * New Regulation: -500 kPa maximum operating pressure at any outlet within a building. (Ref. AS/NZS 3500.1-2003, Clause 3.3.4)
- * Maximum hot water temperature: 80°C.



iB Rubinetterie S.p.A.

Via dei Pianotti 3/5
25068 SAREZZO (BS) Italy
Iscr. Reg. Impr. BS 01785230986
R.E.A. BS 352087
P.IVA IT01785230986
Capitale Sociale € 420.000,00 i.v.
phone +39 030 802101
fax +39 030 803097
info@ibrubinetterie.it
www.ibrubinetterie.it

