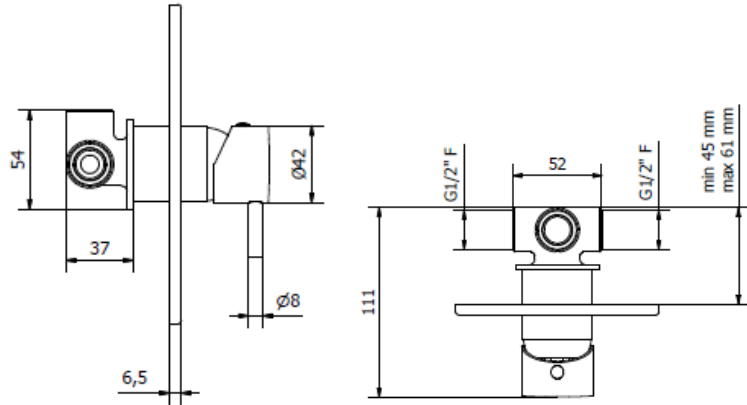
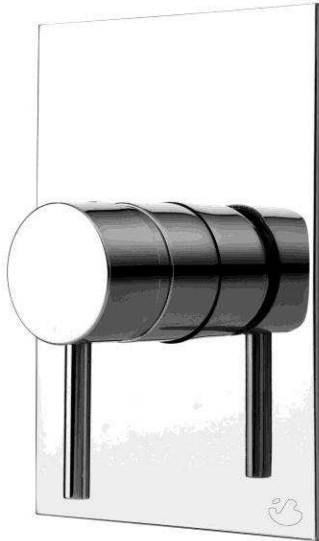




www.ibrubinetterie.it

MILANOTORINO  
MT300

Range  
Product



Product Description

Shower mixer built into the wall, erected on a 175x120 mms plate and composed of a metal lever and an internal carter in order to protect the body during the installation and make the process easier as it shows the exact amount of mms to fix it correctly into the wall. It's made of two internal water inlets (cold and hot water) and a way outlet.

Available Finishings

Chrome	<input checked="" type="checkbox"/>	Glossy Black	<input checked="" type="checkbox"/>	PVD Gold	<input type="checkbox"/>	Copper	<input type="checkbox"/>
Brushed Nickel	<input checked="" type="checkbox"/>	Matt White	<input type="checkbox"/>	Gold	<input checked="" type="checkbox"/>	Bronze	<input type="checkbox"/>
Glossy White	<input checked="" type="checkbox"/>	Matt Black	<input type="checkbox"/>	Rose Gold	<input checked="" type="checkbox"/>	YO - Your Own	<input checked="" type="checkbox"/>

Tech Specifications

iB Standard	Possible Alternative
-------------	----------------------

Cartridge	iB 35 mms Ceramic Cartridge	Flow Restrictions – See below
Water Inlets	G 1/2" F	
Water Outlet	G 1/2" F	

Flow Rate  
(+/- 10%)

1 BAR	12 l/m
2 BAR	17 l/m
3 BAR	21 l/m

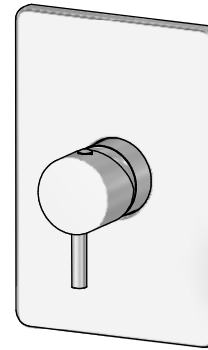
Changing aerator or adding flow restrictors in the hoses, the following range of TOP flow rates can be achieved	3,0 l/m
	6,0 l/m
	9,0 l/m
	12,0 l/m
	15,0 l/m
	18,0 l/m
21,0 l/m	

Material  
 Brass  
 According to CUZN35PB2AL-B(CB752S)  
 Max Lead content: 1,6%

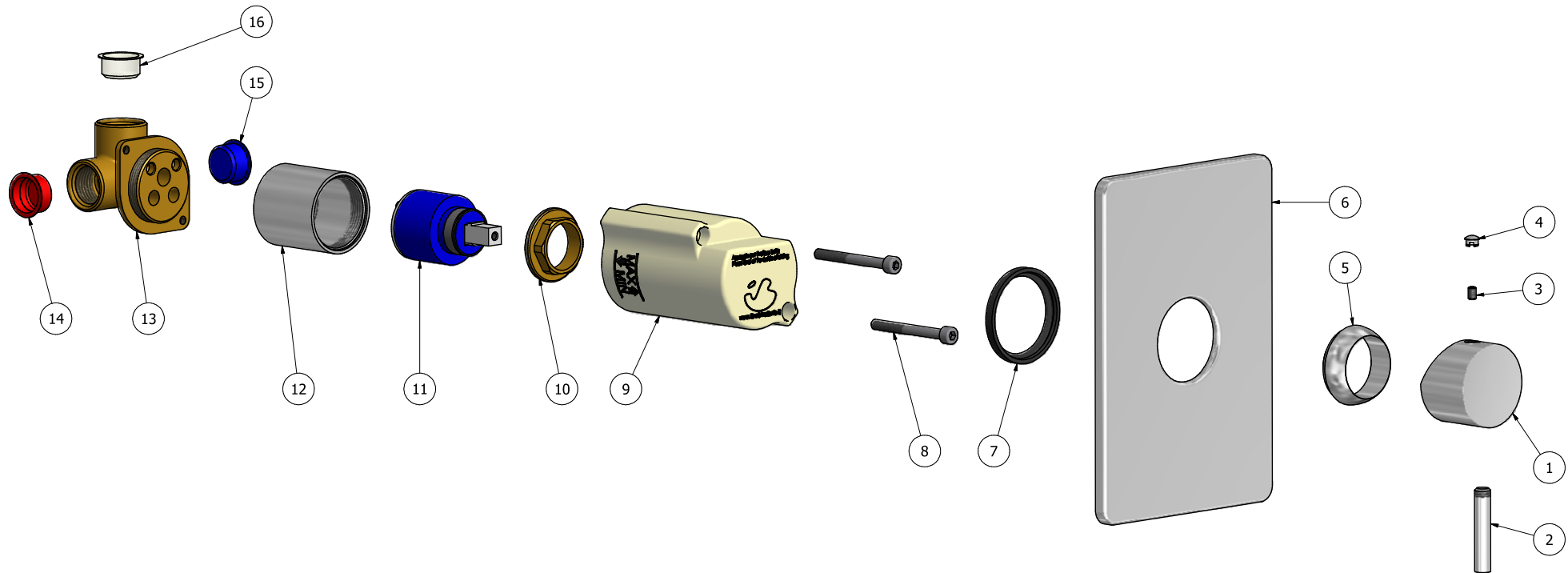
Production  
 Main body is a single casted piece



info@ibrubinetterie.it  
 p.iva 01785230986  
 capitale sociale € 420.000,00 i.v.  
 T +39.030.802101  
 F +39.030.803097  
 iB Rubinetterie SpA  
 via dei pianotti, 3/5 - 25068 sarezzo (bs) - Italy



Elenco parti			
ELEM	CODICE	NUMERO DI MAGAZZINO	QT
1	AC0011351	Handle Ø42 H30	1
2	AC0009461	Rod Ø8 H42 M8	1
3	AQ0001081	Inox grub screw M4x6 flat point	1
4	AQ0006650	Plug cover Ø7	1
5	AQ0003630	Cartridge ring nut cover M37x1.5	1
6	AQ0013843	Plate 175x120x6.5 1 hole	1
7	AQ0013864	Rubber 48x39x5.6 EPDM 80	1
8	AQ0010892	Socket head cap screw M5x65	2
9	AQT413360	Stamped carter	1
10	AQ0001040	Cartridge ring nut M37x1.5 H9	1
11	AQ0004095	Ceramic cartridge Ø35 9x9 (K35A)	1
12	AC0010445	Ring for recessed shower mixer	1
13	AQCT10369	Recessed shower mixer body Ø35 DZR	1
14	AQ0014537	Red thread's protecting cap Ø19	1
15	AQ0014538	Blu thread's protecting cap Ø19	1
16	AQ0013461	Protecting cap thread Ø19	1



				<b>Tolleranze generali</b> ±0.1		<b>Peso</b>	<b>Scala</b> 1:2	<b>Formato</b> ISO A3
<b>Materiale</b>								
<b>Disegnatore</b> Vizenzi M.	<b>Data creazione</b> 17/01/2011	<b>Approvato da</b> Gabriele Tira	<b>Approvato il</b> 18/05/2011					
<b>Denominazione</b> Esploso mix doccia incasso Milano-Torino				<b>Codice</b> KMT300CCXN_3				

## WARRANTY

all iB Rubinetterie SpA products are warranted for 10 years from the date of purchase, for the following cases:

- defects of casting, porosity and chrome plating
- operating defects caused by incorrect fabrication.

The warranty provides for the repair or replacement of products with fabrication defects recognized by our technical office.

There is no other type of compensation and the merchandise must be returned FOB our warehouse. The warranty only cover surface defects (scartches, dings, etc.) on fittings that have not been installed and used, returned in its original packaging with all components.

O-rings, gasket seals and components subject to wear proportional to use are warranted for 2 years.

### **The warranty is void in the following cases:**

- error installing and putting the product into service.
- deterioration of chrome-plated surfaces due to use of cleaning products containing acids or abrasive substances
- deterioration of surface with finishes other than chrome plating. Their durability is, in fact, dependent on the user's care and gentleness of use.
- deterioration of the fitting due incorrect installation.
- improper repairs and maintenance performed without the company's prior authorization.

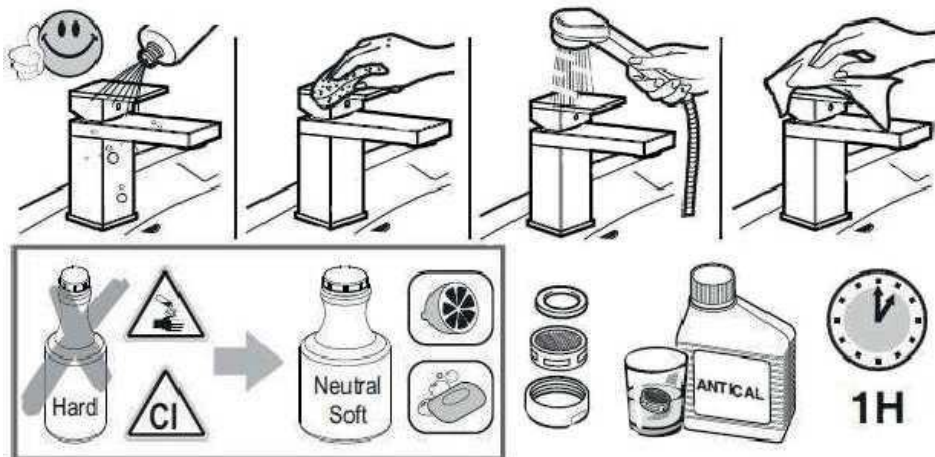
The warranty from iB Rubinetterie SpA is not renewable.

### **Cleaning:**

We recommend cleaning chrome-plated and gold-finish surface with water and soap, using a soft cloth.

Do not use detergents that contain hydrochloric acid or abrasive substances.

Plastic parts must only be cleaned with soap and water and soft cloth.



### **IMPORTANT**

#### **Pressure & Temperature Requirements.**

- \* Hot and cold water inlet pressures should be equal.
- \* Inlet pressure range: 150-1000 kPa
- \* New Regulation: -500 kPa maximum operating pressure at any outlet within a building. (Ref. AS/NZS 3500.1-2003, Clause 3.3.4)
- \* Maximum hot water temperature: 80°C.



**iB Rubinetterie S.p.A.**  
Via dei Pianotti 3/5  
25068 SAREZZO (BS) Italy  
Iscr. Reg. Impr. BS 01785230986  
R.E.A. BS 352087  
P.IVA IT01785230986  
Capitale Sociale € 420.000,00 i.v.  
phone +39 030 802101  
fax +39 030 803097  
info@ibrubinetterie.it  
www.ibrubinetterie.it

